

Engine & Cooling	Fuel	Ignition	Electrical	Running gear	Torque settings	Capacities	Notes & Illustrations
------------------	------	----------	------------	--------------	-----------------	------------	-----------------------



## Automotive Technical DATA BOOK

Click on one of the buttons above to view data for this car. To return to this screen and make another choice, click anywhere on the data screen.

MENU

HELP

### Engine and cooling system Celica GT-Four CAT (ST185) 1990 to 1993

Type		3S-GTE DOHC 16V Turbo
Capacity (cm <sup>3</sup> ) / number of cylinders		1998 / 4
Compression ratio / pressure	bar	8.8 / ≥8.8
Oil pressure	bar	[2.5 to 4.9]
Oil temperature	°C	80
Valve clearance - inlet	mm	0.15 to 0.25
- exhaust	mm	0.20 to 0.30
Firing order		1-3-4-2
No 1 cylinder position		TBE
Thermostat opening temperature	°C	80 to 84
Radiator cap pressure	bar	0.74 to 1.03

### Fuel system Celica GT-Four CAT (ST185) 1990 to 1993

Idle speed - manual [auto]	rpm	800±50 N/A
Fast idle speed - manual [auto]	rpm	—
CO @ idle speed [3000 rpm] - see page VI	%	0 to 0.5 N/A
HC @ idle speed [3000 rpm] - see page VI	ppm	≤300
CO <sub>2</sub> @ idle speed [3000 rpm] - see page VI	%	—
O <sub>2</sub> @ idle speed [3000 rpm] - see page VI	%	—
Carburettor / fuel injection		Toyota
Type / ref		TCCS plus Turbo
Main jet / needle		—
Injection pressure	bar	—
Pump pressure	bar	2.3 to 2.7
Octane rating	RON	95[U]

### Ignition system Celica GT-Four CAT (ST185) 1990 to 1993

Type		Computerized
Ignition coil		—
Primary resistance	ohms	0.40 to 0.50
Ballast resistor	ohms	—
Voltage - Tmnl 15(+) to earth	V	—
Distributor		—
Points gap (air gap)	mm	[0.20 to 0.40]
Dwell angle	° (%)	—
Condenser capacity	µF	—
Rotation		—
Ignition timing - basic [static	° Crankshaft @ rpm	10 BTDC @ 800±50 <sup>1</sup>
V = Vacuum NV = No Vacuum		NV
Total ignition advance	° Crankshaft @ rpm	12 to 21 BTDC @ 800±50
	° Crankshaft @ rpm	—
	° Crankshaft @ rpm	—
Centrifugal check.	° Crankshaft @ rpm	Computer control
	° Crankshaft @ rpm	—
	° Crankshaft @ rpm	—
Vacuum range check	mbar	Computer control
Maximum vacuum advance	° Crankshaft	—
Spark plugs		NGK/Champion
Type		BKR6EP8 / RC7YCC
Electrode gap	mm	0.80

### Electrical system Celica GT-Four CAT (ST185) 1990 to 1993

Battery	V / CC / RC	12 / 48Ah
Alternator voltage / full load current / engine rpm		13.9 to 15.1 / _ / 2000
Starter motor current / voltage - cranking	A / V	90 / 11.5 (no load)
- locked	A / V	—

### Running gear Celica GT-Four CAT (ST185) 1990 to 1993

<b>Brakes -</b>		
Front (min. friction material thickness)	mm	1.0
Rear (min. friction material thickness)	mm	1.0
<b>Tyres</b>		
Saloon	Size	215/50x15
Estate / Van	Size	—
Pressure - front / rear - Saloon	bar	2.3 / 2.3
- Estate / Van	bar	—
<b>Front suspension / wheel alignment</b>		
Toe-in (+) / Toe-out (-)	mm [°]	0±1.0
Camber		-10'±45'
Castor		+1°±45'
King pin inclination		+14°10'±45'
<b>Rear suspension / wheel alignment</b>		
Toe-in (+) / Toe-out (-)	mm [°]	+5.0±1.0
Camber		-45'±30'

### Torque wrench settings Celica GT-Four CAT (ST185) 1990 to 1993

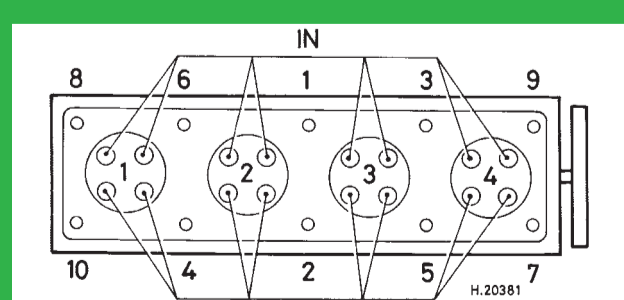
Cylinder head - stage 1	Nm	20
- stage 2	Nm	49
- stage 3	Nm	+ 90°
- stage 4	Nm	—
Big-end bearings	Nm	67
Main bearings	Nm	59
Clutch cover	Nm	19
Flywheel [driveplate]	Nm	108
Front hubs	Nm	186
Rear hubs	Nm	186
Wheel nuts / bolts	Nm	103
Spark plugs	Nm	18

### Capacities Celica GT-Four CAT (ST185) 1990 to 1993

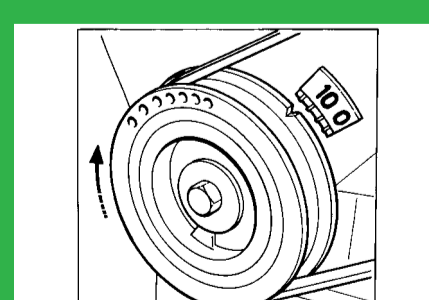
Engine oil & filter	litres	3.9
Gearbox - 4-speed [5-speed]	litres	5.2
Automatic transmission - refill	litres	—
Final drive	litres	Rear: 1.1
Cooling system	litres	7.0
Fuel tank	litres	68

### Notes and Illustrations

<sup>1</sup>TE1 & E1 shorted



1998 cm<sup>3</sup>



1998 cm<sup>3</sup>, 3S-GTE